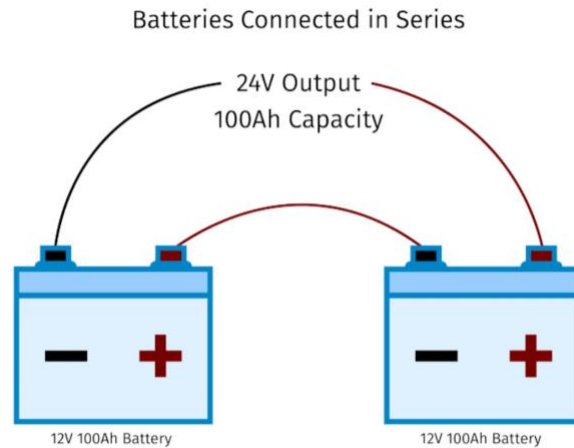


## Series vs. Parallel Connections

There are two basic ways to connect more than two circuits: Series and Parallel.

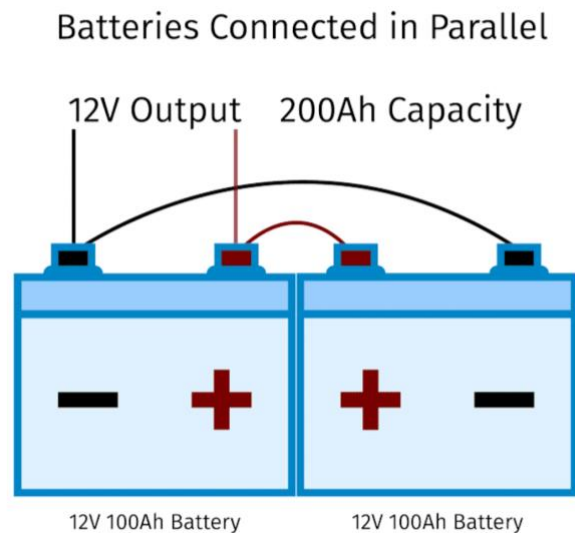
- **Series**

- Components are connected end-to-end (positive to negative) to form a single path for electrons to flow
- A series connection will double voltage while AMP hours remain constant.

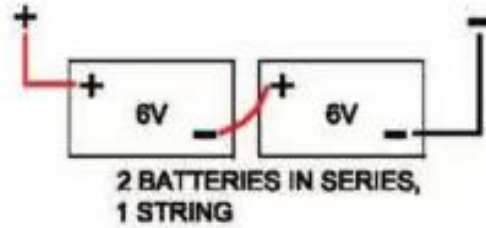
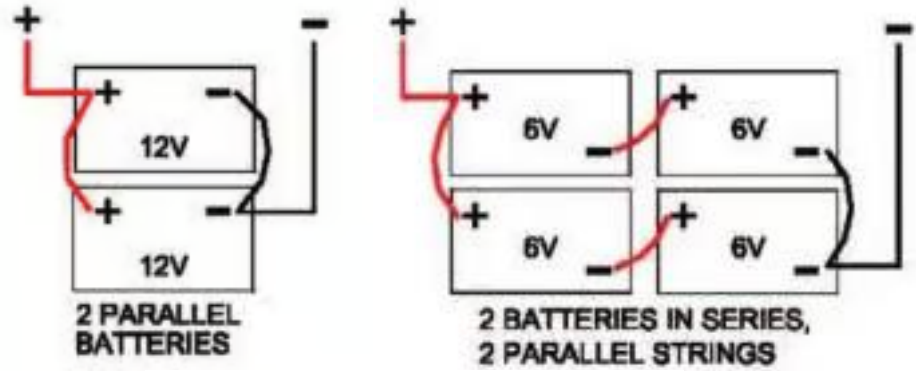


- **Parallel**

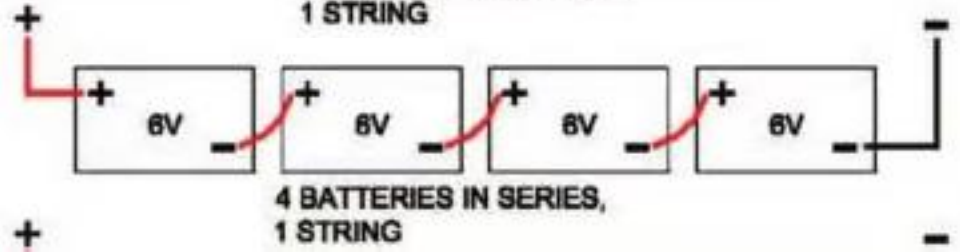
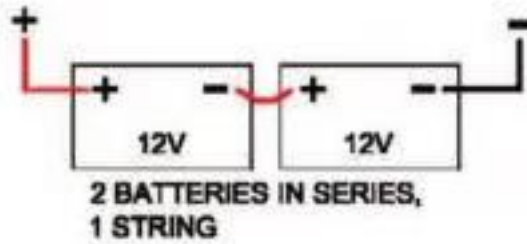
- Components are connected across to each others leads (positive to positive, or negative to negative)
- A parallel connection will double AMP hours while voltage remains constant.



12 Volt Battery Wiring



24 Volt Battery Wiring



48 Volt Battery Wiring

